

PALM BEACH COUNTY DEPARTMENT OF ENGINEERING AND PUBLIC WORKS



ROADWAY PRODUCTION

PALM BEACH COUNTY THOROUGHFARE ROADS TYPICAL SECTIONS

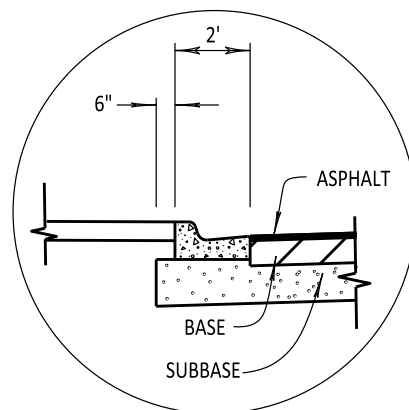
EFFECTIVE: APRIL 2018

INDEX

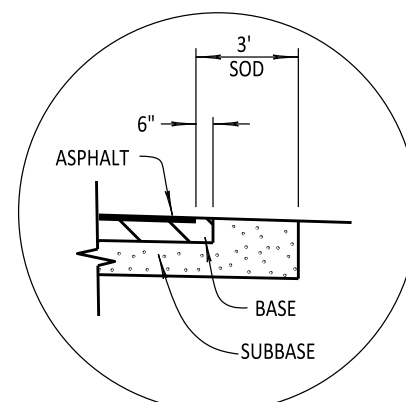
SHEET NO.	SHEET DESCRIPTION
NEW CONSTRUCTION	
1	KEY SHEET
2	STANDARD 80' RIGHT-OF-WAY (NEW CONSTRUCTION): - 5 LANE ROADWAY - 2 AND 3 LANE ROADWAY
3	STANDARD 80' RIGHT-OF-WAY (NEW CONSTRUCTION): - 118' RIGHT-OF-WAY EXPANDED INTERSECTION
4	STANDARD 100' RIGHT-OF-WAY (NEW CONSTRUCTION): - 4 LANE ROADWAY - 2 LANE ROADWAY
5	STANDARD 100' RIGHT-OF-WAY (NEW CONSTRUCTION): - 127' RIGHT-OF-WAY EXPANDED INTERSECTION
6	STANDARD 110' RIGHT-OF-WAY (NEW CONSTRUCTION): - 6 LANE ROADWAY - 4 LANE ROADWAY - 2 LANE ROADWAY
7	STANDARD 110' RIGHT-OF-WAY (NEW CONSTRUCTION): - 136' RIGHT-OF-WAY EXPANDED INTERSECTION
8	STANDARD 120' RIGHT-OF-WAY (NEW CONSTRUCTION): - 6 LANE ROADWAY - 4 LANE ROADWAY - 2 LANE ROADWAY
9	STANDARD 120' RIGHT-OF-WAY (NEW CONSTRUCTION): - 143' RIGHT-OF-WAY EXPANDED INTERSECTION

RESTRIPING (OLD TYPICAL SECTIONS)

10	STANDARD 80' RIGHT-OF-WAY (RESTRIPING): - 5 LANE ROADWAY - 115' RIGHT-OF-WAY EXPANDED INTERSECTION
11	STANDARD 100' RIGHT-OF-WAY (RESTRIPING): - 4 LANE ROADWAY - 122' RIGHT-OF-WAY EXPANDED INTERSECTION
12	STANDARD 110' RIGHT-OF-WAY (RESTRIPING): - 6 LANE ROADWAY - 132' RIGHT-OF-WAY EXPANDED INTERSECTION
13	STANDARD 120' RIGHT-OF-WAY (RESTRIPING): - 6 LANE ROADWAY - 140' RIGHT-OF-WAY EXPANDED INTERSECTION



FULL PAVEMENT SECTION
CURB & GUTTER
TYPE "F" (TYP.)
AT CURB INLETS



FULL PAVEMENT SECTION
NO CURB & GUTTER

STANDARD PAVEMENT SECTION

- NEW CONSTRUCTION
- 1" ASPHALTIC CONCRETE FRICTION COURSE FC-9.5
 - 1 1/2" SUPERPAVE ASPHALTIC CONCRETE STRUCTURAL COURSE (TRAFFIC C)
 - OPTIONAL BASE GROUP 7
 - 12" TYPE B STABILIZED SUBGRADE (LBR 40)
- WIDENING
- 1" ASPHALTIC CONCRETE FRICTION COURSE FC-9.5
 - 1 1/2" SUPERPAVE ASPHALTIC CONCRETE STRUCTURAL COURSE (TRAFFIC C)
 - OPTIONAL BASE GROUP 13
 - 12" COMPACTED SUBGRADE (98% T180)
- ADDITIONAL R/W OR SIGHT EASEMENTS MAY BE REQUIRED AT INTERSECTING ROADWAYS AND MAJOR DRIVEWAYS (SEE FLORIDA GREENBOOK)
 - U-TURN MOVEMENTS REQUIRE MINIMUM 50' FROM RIGHT SIDE OF U-TURN LANE TO OUTSIDE EDGE OF PAVEMENT OF RECEIVING LANE.
 - MINIMUM WIDTH OF PAVEMENT TO RECEIVE DUAL LEFT TURNING VEHICLES IS 30'.

PALM BEACH COUNTY
ENGINEERING AND PUBLIC WORKS
ROADWAY PRODUCTION
 P. O. BOX 21229
 WEST PALM BEACH, FLORIDA

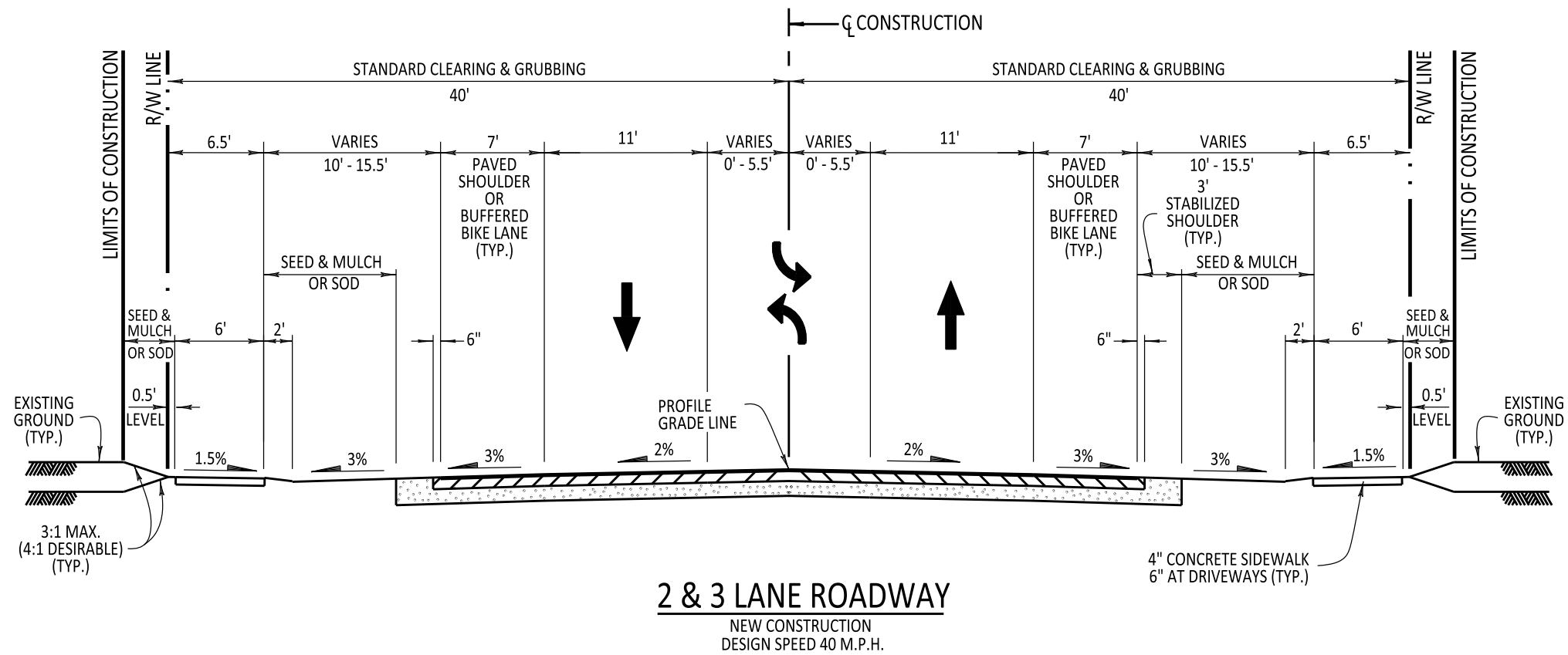
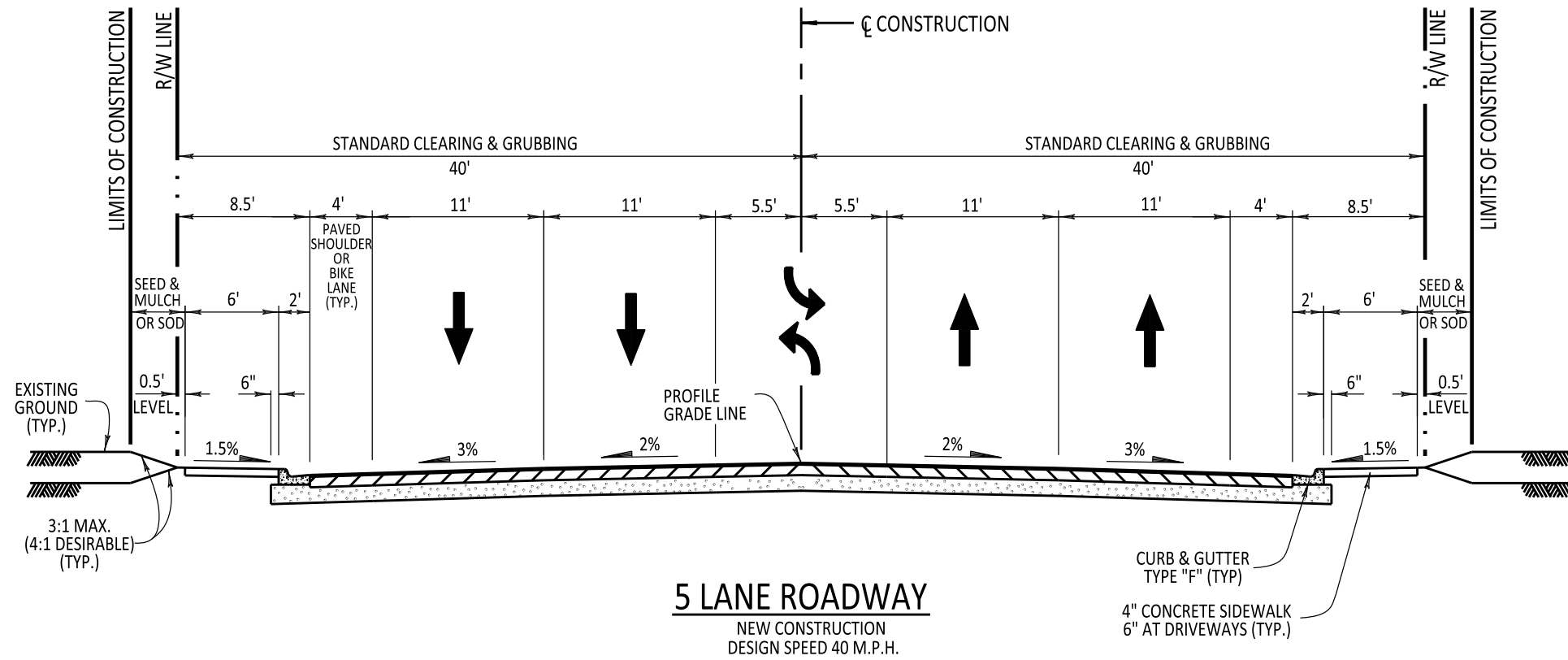
NO.	REVISION	BY	DATE

SCALE: N.T.S.
 APPROVED: O.A.F.
 DRAWN: K.L.
 CHECKED: M.L.R.
 DATE: 04/2018

PROJECT: PALM BEACH COUNTY
 THOROUGHFARE ROADS
 TYPICAL SECTIONS
 KEY SHEET
 DRAWING NO.

SHEET: 1
 OF: 13
 PROJECT NO.

APRIL 2018



PALM BEACH COUNTY
ENGINEERING AND PUBLIC WORKS
ROADWAY PRODUCTION
P. O. BOX 21229
WEST PALM BEACH, FLORIDA

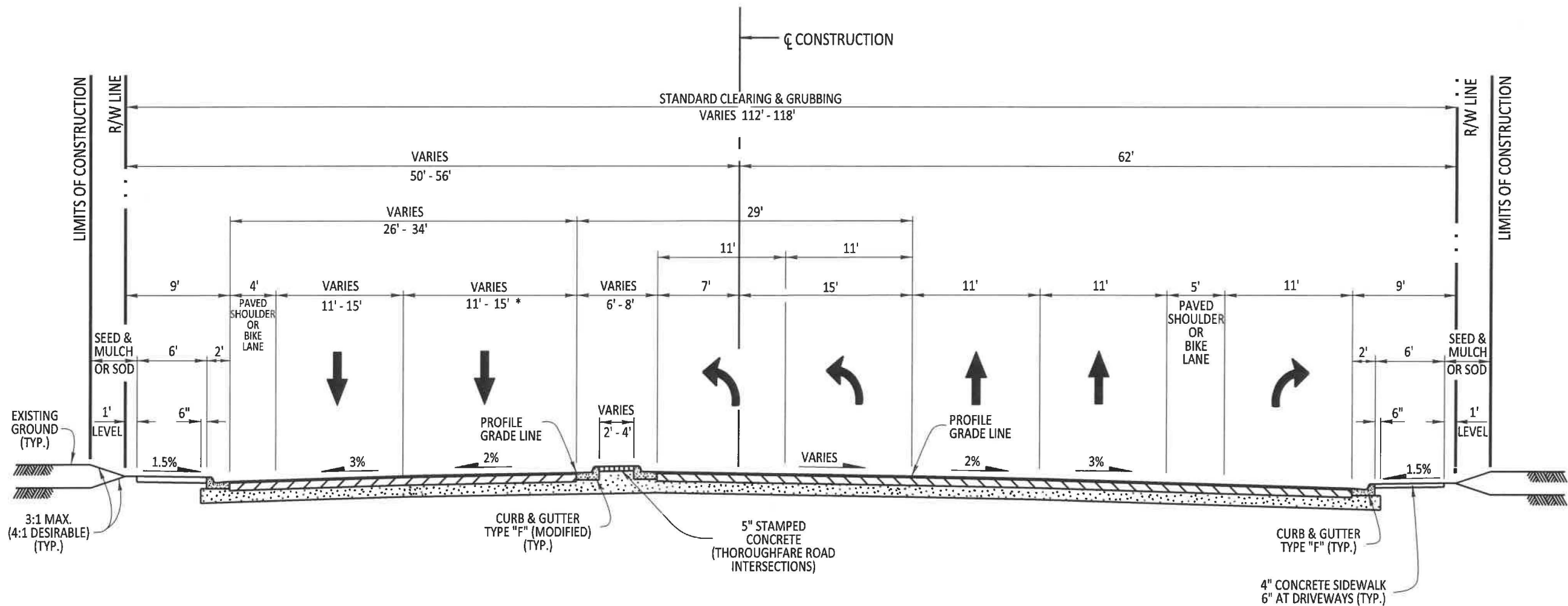


NO.	1	REVISION	REVISED CENTER LANES WIDTH
BY	DAF	DATE	6/18
SCALE: N.T.S. APPROVED: O.A.F. DRAWN: K.L. CHECKED: M.L.R. DATE: 04/2018			

PROJECT: **TYPICAL SECTION**
80' RIGHT OF WAY
DRAWING NO. _____
DESIGN FILE NAME _____

SHEET: 2
OF: 13
PROJECT NO. _____

JUNE 2018



EXPANDED INTERSECTION

NEW CONSTRUCTION
DESIGN SPEED 40 M.P.H.

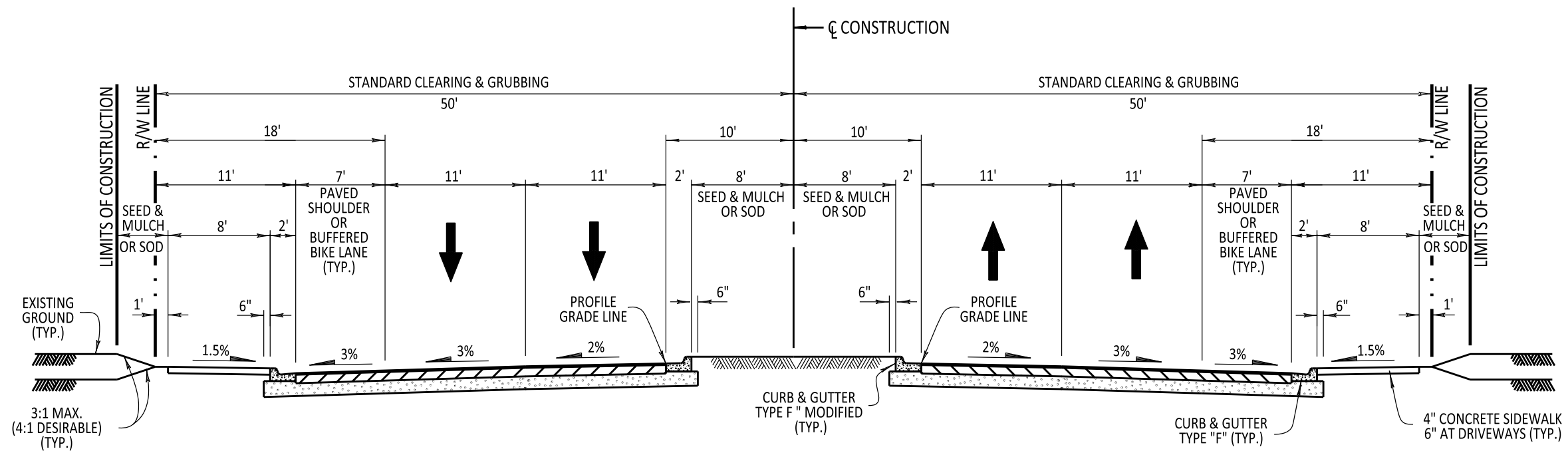
PALM BEACH COUNTY
ENGINEERING AND PUBLIC WORKS
ROADWAY PRODUCTION
 P. O. BOX 21229
 WEST PALM BEACH, FLORIDA

NO.	DATE
BY	
REVISION	
SCALE: N.T.S.	FIELD BOOK NO.
APPROVED: O.A.F.	
DRAWN: K.L.	
CHECKED: M.L.R.	
DATE: 04/2018	

PROJECT: **EXPANDED INTERSECTION**
118' RIGHT OF WAY
(STANDARD 80' R/W)
 DESIGN FILE NAME: _____ DRAWING NO. _____

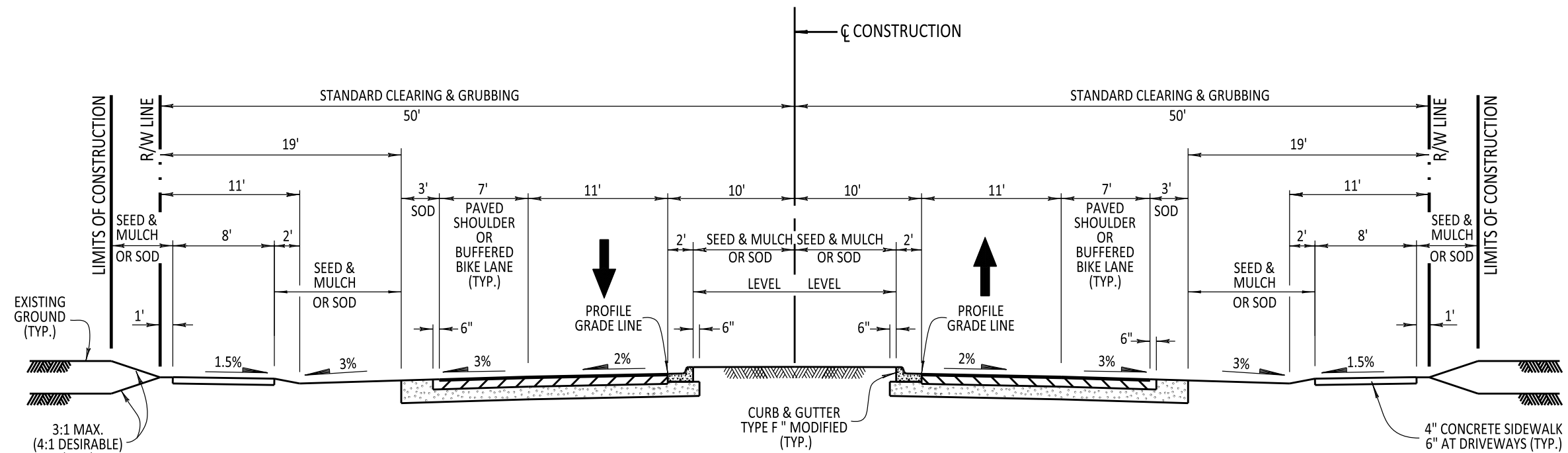
SHEET: 3
 OF: 13
 PROJECT NO. _____

APRIL 2018



4 LANE ROADWAY

NEW CONSTRUCTION
DESIGN SPEED 45 M.P.H.



2 LANE ROADWAY

NEW CONSTRUCTION
DESIGN SPEED 45 M.P.H.

PALM BEACH COUNTY
ENGINEERING AND PUBLIC WORKS
ROADWAY PRODUCTION
 P. O. BOX 21229
 WEST PALM BEACH, FLORIDA

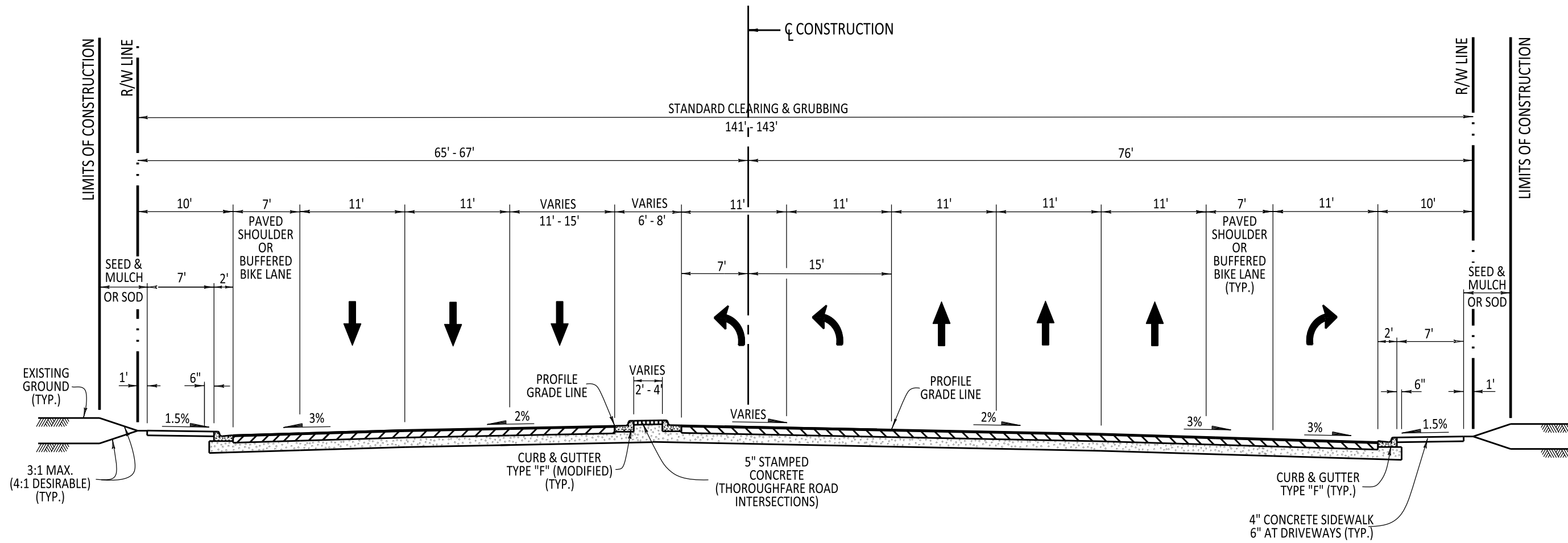
NO.	REVISION	BY	DATE

SCALE: N.T.S.
 APPROVED: O.A.F.
 DRAWN: K.L.
 CHECKED: M.L.R.
 DATE: 04/2018

PROJECT:	TYPICAL SECTION 4 LANE ROADWAY 100' RIGHT-OF-WAY
DESIGN FILE NAME	DRAWING NO.

SHEET:	4
OF:	13
PROJECT NO.	

APRIL 2018



EXPANDED INTERSECTION
 NEW CONSTRUCTION
 DESIGN SPEED 45 M.P.H.

PALM BEACH COUNTY
ENGINEERING AND PUBLIC WORKS
ROADWAY PRODUCTION
 P. O. BOX 21229
 WEST PALM BEACH, FLORIDA

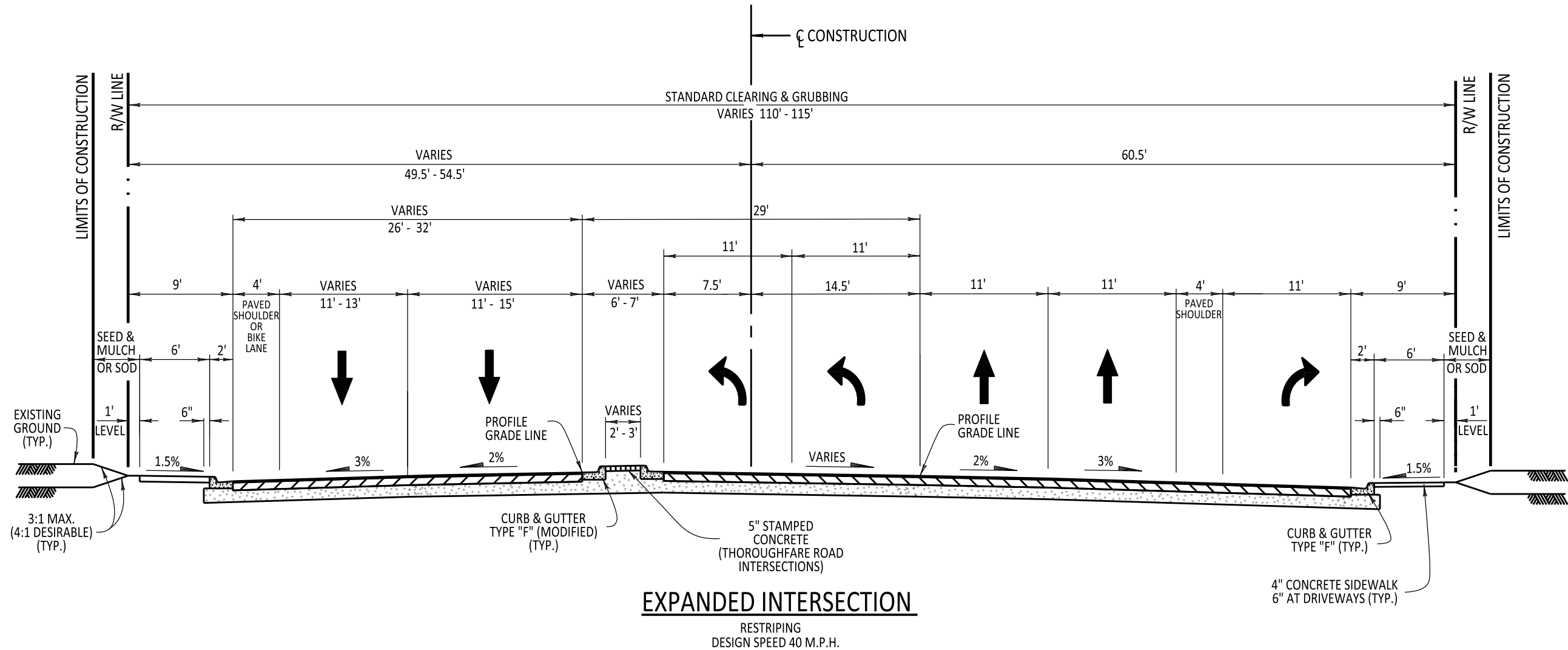
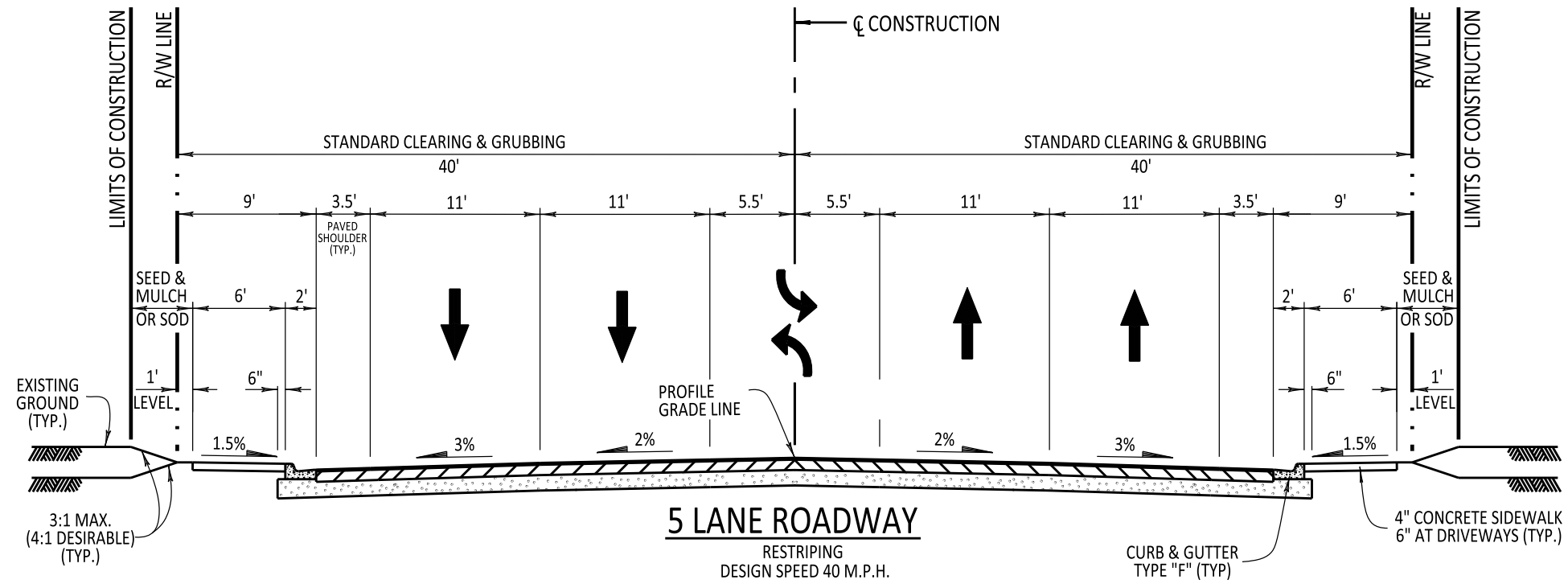
BY	DATE
REVISION	
NO.	
SCALE: N.T.S.	APPROVED: O.A.F.
DRAWN: K.L.	CHECKED: M.L.R.
DATE: 04/2018	FIELD BOOK NO.

PROJECT: **EXPANDED INTERSECTION**
143' RIGHT OF WAY
(STANDARD 120 FT. R/W)


DESIGN FILE NAME: _____ DRAWING NO. _____

SHEET:	9
OF:	13
PROJECT NO.	

APRIL 2018



PALM BEACH COUNTY
ENGINEERING AND PUBLIC WORKS
ROADWAY PRODUCTION
 P. O. BOX 21229
 WEST PALM BEACH, FLORIDA

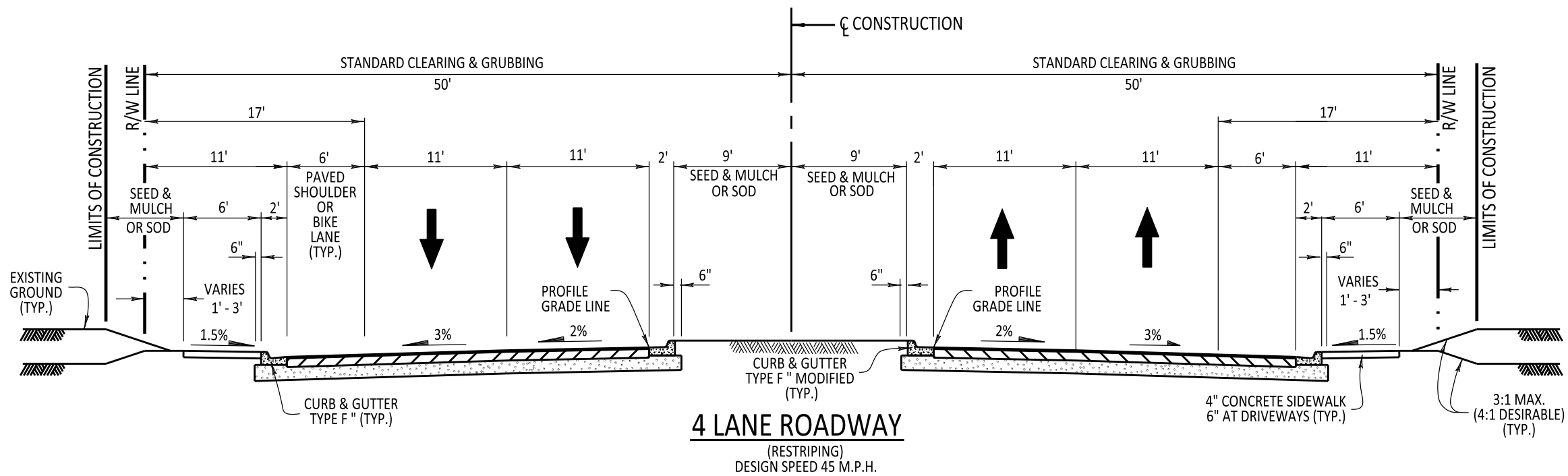


NO.	1	REVISED CENTER LANE WIDTH
BY	OAF	DATE 6/18
REVISION		
SCALE:	N.T.S.	
APPROVED:	O.A.F.	
DRAWN:	K.L.	
CHECKED:	M.L.R.	
DATE:	04/2018	
FIELD BOOK NO.		

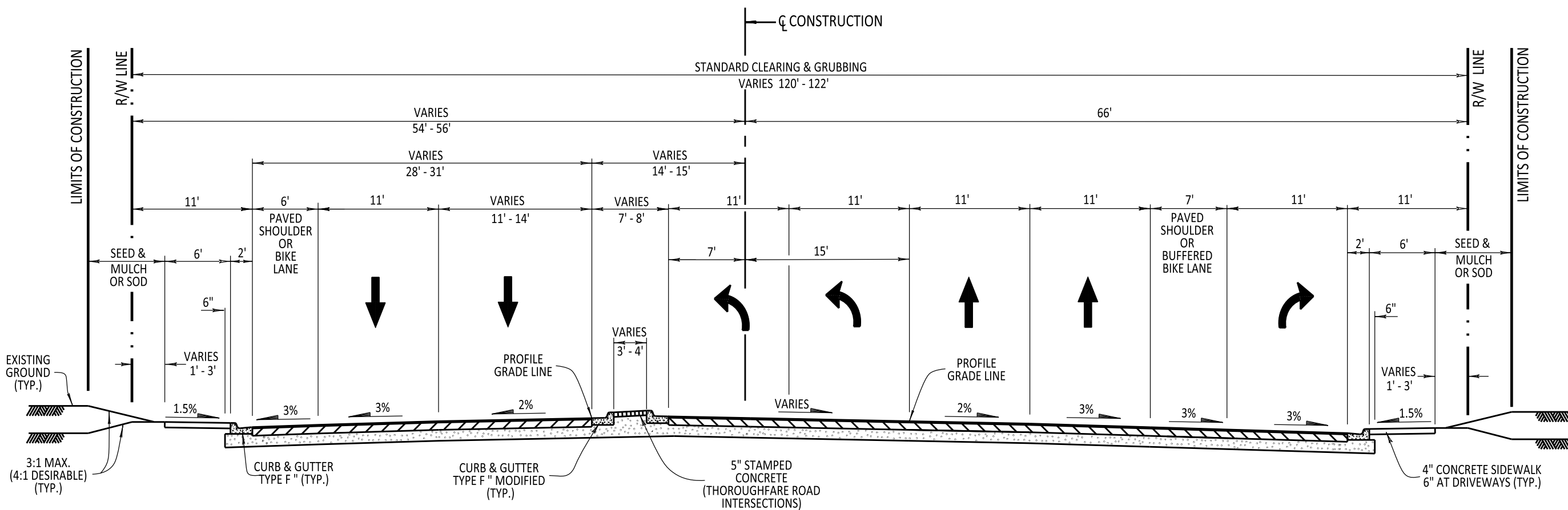
PROJECT:	RESTRIPING TYPICAL SECTION AND EXPANDED INTERSECTION 115' RIGHT OF WAY (STANDARD 80' R/W)	DRAWING NO.
DESIGN FILE NAME		

SHEET:	10
OF:	13
PROJECT NO.	

JUNE 2018



4 LANE ROADWAY
(RESTRIPING)
DESIGN SPEED 45 M.P.H.



EXPANDED INTERSECTION
(RESTRIPING)
DESIGN SPEED 45 M.P.H.

PALM BEACH COUNTY
ENGINEERING AND PUBLIC WORKS
ROADWAY PRODUCTION
P. O. BOX 21229
WEST PALM BEACH, FLORIDA



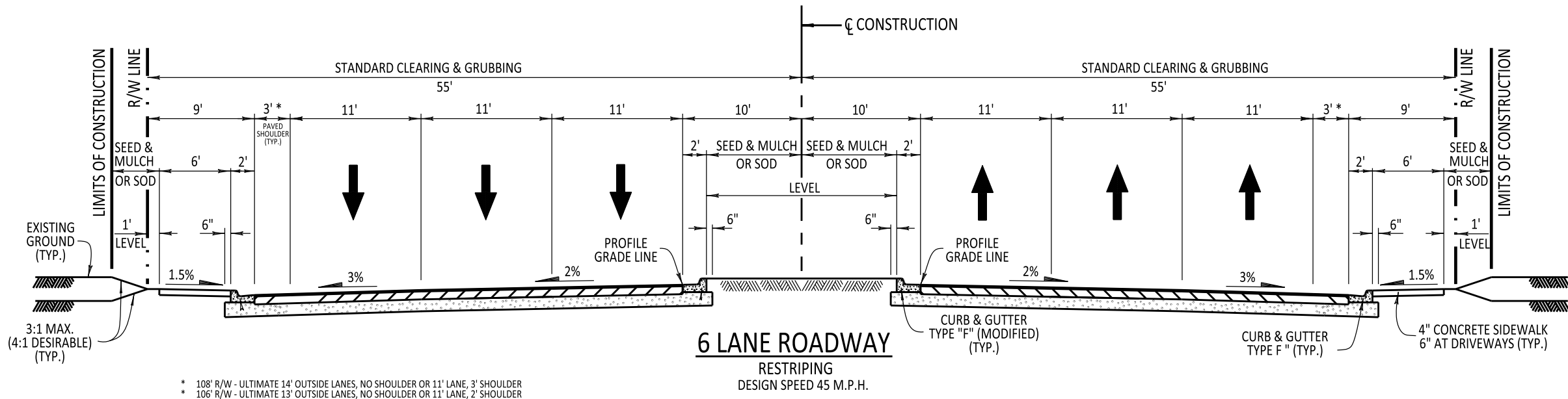
NO.	REVISION	BY	DATE
SCALE: N.T.S.			FIELD BOOK NO.
APPROVED: O.A.F.			
DRAWN: K.L.			
CHECKED: M.L.R.			
DATE: 04/2018			

PROJECT: **RESTRIPING TYPICAL SECTION AND EXPANDED INTERSECTION 122' RIGHT OF WAY (STANDARD 100' R/W)**

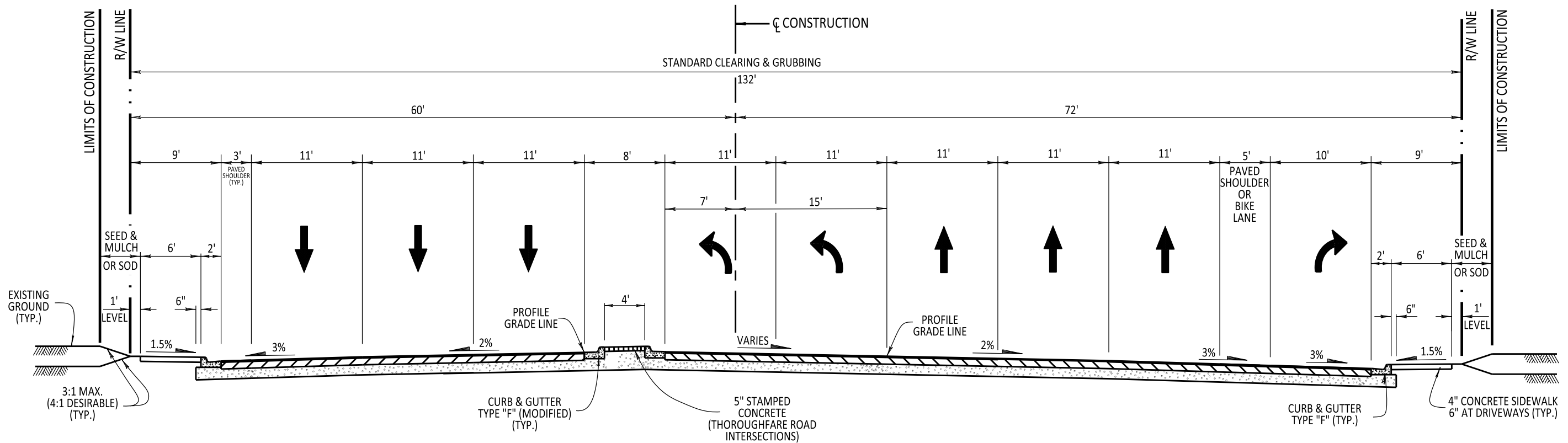
DESIGN FILE NAME: _____ DRAWING NO.: _____

SHEET: 11
OF: 13
PROJECT NO. _____

APRIL 2018



* 108' R/W - ULTIMATE 14' OUTSIDE LANES, NO SHOULDER OR 11' LANE, 3' SHOULDER
 * 106' R/W - ULTIMATE 13' OUTSIDE LANES, NO SHOULDER OR 11' LANE, 2' SHOULDER



PALM BEACH COUNTY
ENGINEERING AND PUBLIC WORKS
ROADWAY PRODUCTION
P. O. BOX 21229
WEST PALM BEACH, FLORIDA

NO.	BY	DATE	
REVISION			
SCALE: N.T.S.			FIELD BOOK NO.
APPROVED: O.A.F.			
DRAWN: K.L.			
CHECKED: M.L.R.			
DATE: 04/2018			

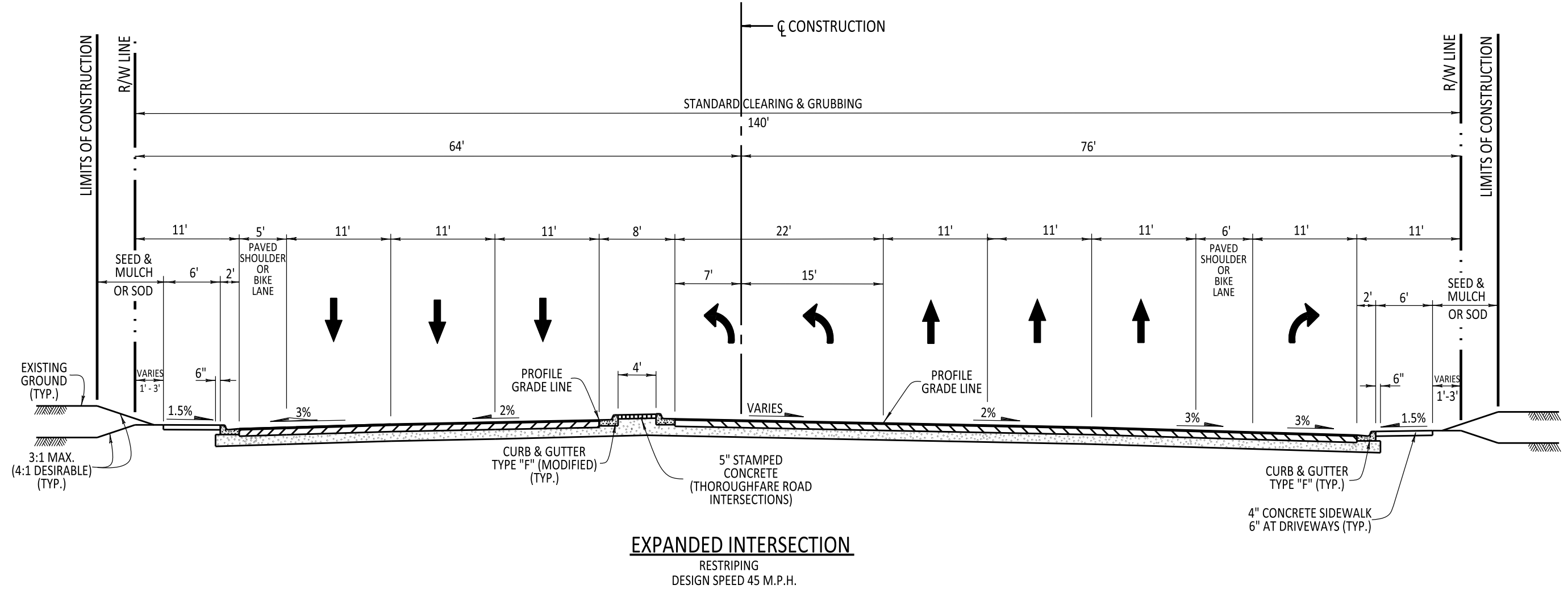
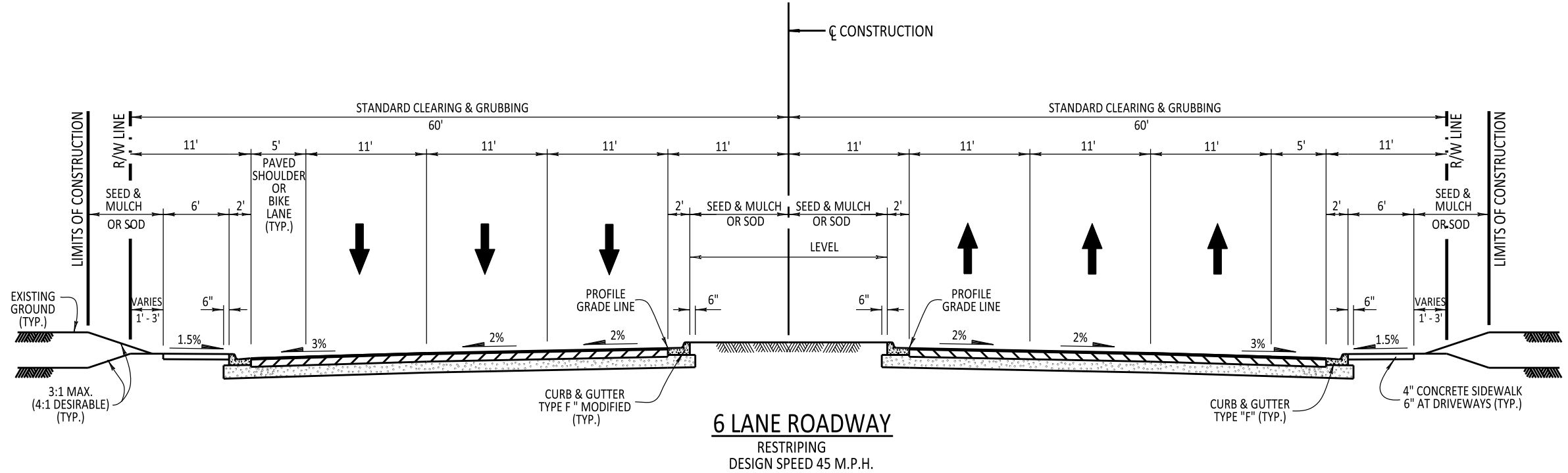
PROJECT: RESTRIPING
TYPICAL SECTION AND
EXPANDED INTERSECTION
132' RIGHT OF WAY
(STANDARD 110 FT. R/W)

DRAWING NO.

DESIGN FILE NAME

SHEET: 12
OF: 13
PROJECT NO.

APRIL 2018



NO.	REVISION	BY	DATE

SCALE: N.T.S.
 APPROVED: O.A.F.
 DRAWN: K.L.
 CHECKED: M.L.R.
 DATE: 04/2018

FIELD BOOK NO. _____

PROJECT:	RESTRIPING AND EXPANDED INTERSECTION 140' RIGHT OF WAY (STANDARD 120 FT. R/W)
DESIGN FILE NAME	_____
DRAWING NO.	_____

SHEET:	13
OF:	13
PROJECT NO.	_____

APRIL 2018